

Data sheet

E-DAT modul Cat.6_A 8(8) jack, T568A

Page 1/10

P/N
130910-I

EAN 4250184105473

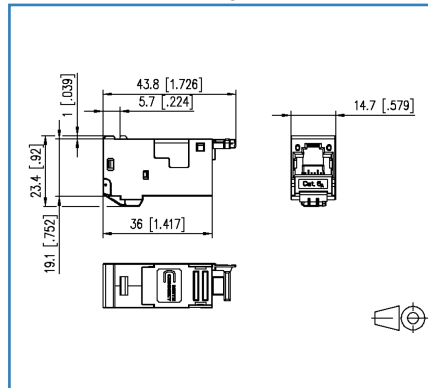
2020/03/27

Version: AW

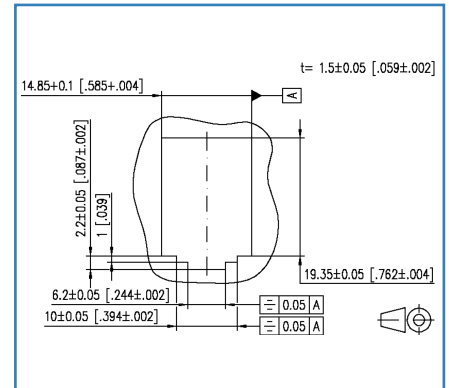
Illustrations



Dimensional drawing



Cut-out



See enlarged drawings at the end of document



Product specification

- modular termination unit Cat.6_A, RJ45
- component testing for Cat.6_A to ISO/IEC 11801 Ed.2.2:2011-06, DIN EN 50173-1:2011-09, TIA/EIA-568-C.2 (2009-08) and IEC 60603-7-51 Ed.1 (12/2008), certified to GHMT
- compliance with class E_A to ISO/IEC 11801
- Ed.2.2:2011-06, DIN EN 50173-1:2011-09
- tested: Link up to 500 MHz
- suitable for 10 GBit Ethernet (IEEE 802.3an), Remote Powering (PoE, PoE plus, UPoE and 4PPoE) and HDBaseT
- easy to install connection of 2 to 4 pair data lines
- AWG 26/1 - 22/1 and stranded wires with 7 copper conductors AWG 26/7 - 22/7 to BTR 8-fold insulation displacement connectors (IDC)
- marking of conductor assignment to T568A or T568B
- easy and fast insertion of wire pairs in E-DAT modul stuffer cap
- module housing made of refined zinc die-casting
- mounting without special tools
- strain relief with cable tie at the module
- dust cover amounting option
- mounting version: Modul
- cable feed 180°
- delivery in a 10-piece set, available separately

Technical Data

General Data

Fields of application	Office Data center
Design	Jack
Shielding	shielded
Transmission technology	Copper
Wiring	T568A
Color	metallike
Dimensions	
Dimension (L x W x H)	43.85 mm x 14.7 mm x 22.4 mm
Dimension (L x W x H)	1.726 in. x 0.579 in. x 0.882 in.
Weight	41.3 g
Weight	0.09 lb
Modularity	yes
Field assembly ability	yes
Labeling option	on housing

Transmission characteristics

Category (ISO)	6 _A
Class (ISO/IEC)	E _A
Category (TIA)	6A
Remote Powering	yes
PoE	IEEE 802.3af
PoE plus	IEEE 802.3at
UPoE	yes
4PPoE	IEEE 802.3bt
HDBaseT	yes
Transmission rate up to 10 GBit	IEEE 802.3an

Connections/interfaces

Connector technology interface 1	IDC-connection
Connector technology interface 2	RJ45-jack
Number of ports interface 2	1
Number of ports interface 2 equipped	1
Number of positions/contacts interface 1	8
Number of positions/contacts interface 2	8P/8C

Technical Data

Connections/interfaces	
Termination data, solid wire (min. - max.)	
Conductor cross section, solid wire	AWG 26/1 - AWG 22/1
Conductor cross section, solid wire	0.128 mm ² - 0.324 mm ²
Conductor diameter, solid wire (bare copper)	0.409 mm - 0.643 mm
Conductor diameter, solid wire (bare copper)	0.016 in. - 0.025 in.
Termination data, stranded wire (min. - max.)	
Conductor cross section, stranded wire	AWG 26/7 - AWG 22/7
Conductor cross section, stranded wire	0.141 mm ² - 0.355 mm ²
Conductor diameter, stranded wire (bare copper)	0.483 mm - 0.762 mm
Conductor diameter, stranded wire (bare copper)	0.019 in. - 0.03 in.
Cable sheath diameter (min. - max.)	
Cable sheath diameter	5.5 mm - 10.00
Cable sheath diameter	0.197 in. - 0.394
Cable access/outlet	180°
Shield connection	flexible contact spring
Electrical characteristics	
Current carrying capacity	max. 1 A
Rated voltage	max. 50 V
Contact resistance	max. 20 mOhm
Through resistance	max. 200 mOhm
Insulation resistance	min. 500 MOhm
Dielectric strength conductor-conductor (secondary)	min. 1000 V DC
Mechanical data	
Cut-out	module
Mounting method	snap-in function
Insertion and withdrawal force	max. 20 N
Position/mounting of latch - standard installation position	top
strain relief	with cable tie, attached to module

Technical Data

Materials and material properties

Material - Housing	GD-Zn (zinc die-cast)
Material - Insulation displacement contacts	CuSn (tin bronze)
Material - Finish of insulation displacement contacts	Sn (tin)
Material - Contact	Spring steel
Material - Contact finish	Ni + Au (nickel-gold)
Material - Contact carriers	PA 6.6
Material - Finish	Ni (nickel)
RoHS	compliant

Environmental conditions

Temperature (min. - max.)	
Temperature - Storage °C	-40 °C - 70 °C
Temperature - Storage °F	-40 °F - 158 °F
Temperature - Operating °C	-40 °C - 70 °C
Temperature - Operating °F	-40 °F - 158 °F
Electromagnetic measurement	E2

Certifications

GHMT Type Approval	Component (valid to: 11/2019)
--------------------	-------------------------------

Approvals

CE	compliant
UL listed (file no.)	DUXR.E178484



The product meets the following standards

Generic cabling systems	
General requirements	ANSI/TIA-568-C
Office buildings	ISO/IEC 11801-2 DIN EN 50173-2 ANSI/TIA-568-C
Living units	ISO/IEC 15018 DIN EN 50173-4 ANSI/TIA-570-B
Data centers	ISO/IEC 11801-5 DIN EN 50173-5 ANSI/TIA-942-B

Technical Data

The product meets the following standards

Connectors for electronic equipment

Free and fixed connectors	DIN EN 60603-7-51:2011-01
---------------------------	---------------------------

Connectors for electronic equipment - Tests and measurements

Test schedule for connectors	DIN-EN 60512-99-001, DIN-EN 60512-99-002
------------------------------	--

Interference proof

Immunity for industrial environments	DIN EN 61000-6-2:2006-03
--------------------------------------	--------------------------

Emission proof

Electromagnetic emission for residential, commercial and light-indus	DIN EN 61000-6-3:2011-09
--	--------------------------

Classifications

ETIM 5.0	EC001121
----------	----------

ETIM 6.0	EC001121
----------	----------

ETIM 7.0	EC001121
----------	----------

Packing details

Type of packaging	10 pc(s) / box
-------------------	----------------

Packaging unit - Weight (gram)	413 g
--------------------------------	-------

Packaging unit - Weight (pound)	0.91 lb
---------------------------------	---------

Packaging dimension (W x H x D)	258 mm x 164 mm x 51 mm
---------------------------------	-------------------------

Packaging dimension (W x H x D)	10.157 in. x 6.457 in. x 2.008 in.
---------------------------------	------------------------------------

Accessories

P/N	Designation
820032-0102-I	Dust protection cover for C6 _A modul pure white
820032-0103-I	Dust protection cover for C6 _A modul light gray
820032-0105-I	Dust protection cover for C6 _A modul yellow
820032-0106-I	Dust protection cover for C6 _A modul blue
820032-0107-I	Dust protection cover for C6 _A modul green
820032-0108-I	Dust protection cover for C6 _A modul red
820032-0129-I	Dust protection cover for C6 _A modul black

Zubehör von

P/N	Designation
130861-0302-E	Modul surface mount housing 3 port pure white, unequipped
130861-0402-E	Modul surface mount housing 4 port pure white, unequipped
130861-0602-E	Modul surface mount housing 6 port pure white, unequipped
130861-0802-E	Modul surface mount housing 8 port pure white, unequipped
130861-1202-E	Modul surface mount housing 12 port pure white, unequipped
130861-1602-E	Modul surface mount housing 16 port pure white, unequipped
130861-2402-E	Modul surface mount housing 2x12 port pure white, unequipped
1309140001-E	Modul wall outlet AP 1 port pearl white unequipped
1309140002-E	Modul wall outlet AP 1 port pure white unequipped
1309141001-E	Modul wall outlet UP 1 port pearl white unequipped
1309141002-E	Modul wall outlet UP 1 port pure white unequipped
1309141101-E	Modul wall outlet UPk 1 port pearl white unequipped
1309141102-E	Modul wall outlet UPk 1 port pure white unequipped
1309141200-E	Modul wall outlet UP0 3 port unequipped
1309150001-E	Modul wall outlet AP 2 port pearl white unequipped
1309150102-E	Modul wall outlet APFL 2 port pure white unequipped
1309151001-E	Modul wall outlet UP 2 port pearl white unequipped
1309151002-E	Modul wall outlet UP 2 port pure white unequipped
1309151101-E	Modul wall outlet UPk 2 port pearl white unequipped
1309151102-E	Modul wall outlet UPk 2 port pure white unequipped
1309151200-E	Modul wall outlet UP0 2 port unequipped
1309160001-E	Modul wall outlet AP 3 port pearl white unequipped
1309160002-E	Modul wall outlet AP 3 port pure white unequipped
1309161001-E	Modul wall outlet UP 3 port pearl white unequipped
1309161002-E	Modul wall outlet UP 3 port pure white unequipped
1309161101-E	Modul wall outlet UPk 3 port pearl white unequipped
1309161102-E	Modul wall outlet UPk 3 port pure white unequipped
130920-00-E	Modul 19 inch module frame 1RU 24 Port light gray unequipped, shielded
130920-BK-E	Modul 19 inch module frame 1RU 24 port black unequipped, shielded
130921-00-E	Modul 19 inch module frame 1RU 24 port stainless steel unequipped
130924-00-E	Modul 19 inch module frame 1.5RU 48 port stainless steel unequipped
1309350301-E	Subway underfloor unit GB2 Modul 3 port unequipped pearl white

E-DAT modul Cat.6_A 8(8) jack, T568A

P/N
130910-I

EAN 4250184105473

2020/03/27

Version: AW

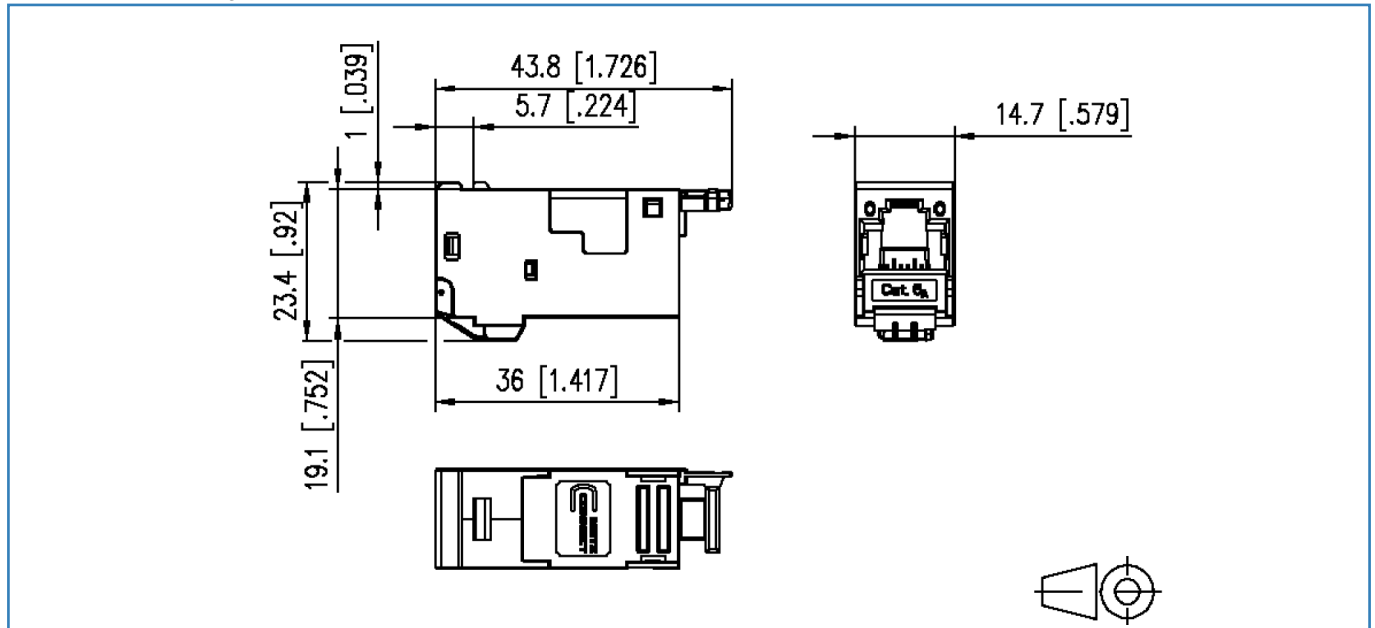
Zubehör von

1309350601-E	Subway underfloor unit GB2 Modul 6 port unequipped pearl white
1309350901-E	Subway underfloor unit GB2 Modul 9 port unequipped pearl white
1309360301-E	Subway underfloor unit GB3 Modul 3 port unequipped pearl white
1309360601-E	Subway underfloor unit GB3 Modul 6 port unequipped pearl white
1309360901-E	Subway underfloor unit GB3 Modul 9 port unequipped pearl white
1309361201-E	Subway underfloor unit GB3 Modul 12 port unequipped pearl white
1309427103-E	Modul REGplus IP20 light gray unequipped
1309430003-E	E-DAT modul IP44 surface mounting housing unequipped
1309460003-I	Modul IP44SG surface mounting housing unequipped
1309461002-I	E-DAT modul IP44SG UP housing pure white unequipped
1309461003-I	E-DAT modul IP44SG UP housing gray unequipped
130B10D10002-E	Modul wall outlet AP 1 port pure white unequipped 43 mm
130B10D20002-E	Modul wall outlet AP 2 port pure white unequipped 43 mm
130B10D30002-E	Modul wall outlet AP 3 port pure white unequipped 43 mm
130B10E2E-E	Modul module frame 3RU, 7HP 6 port stainless steel unequipped

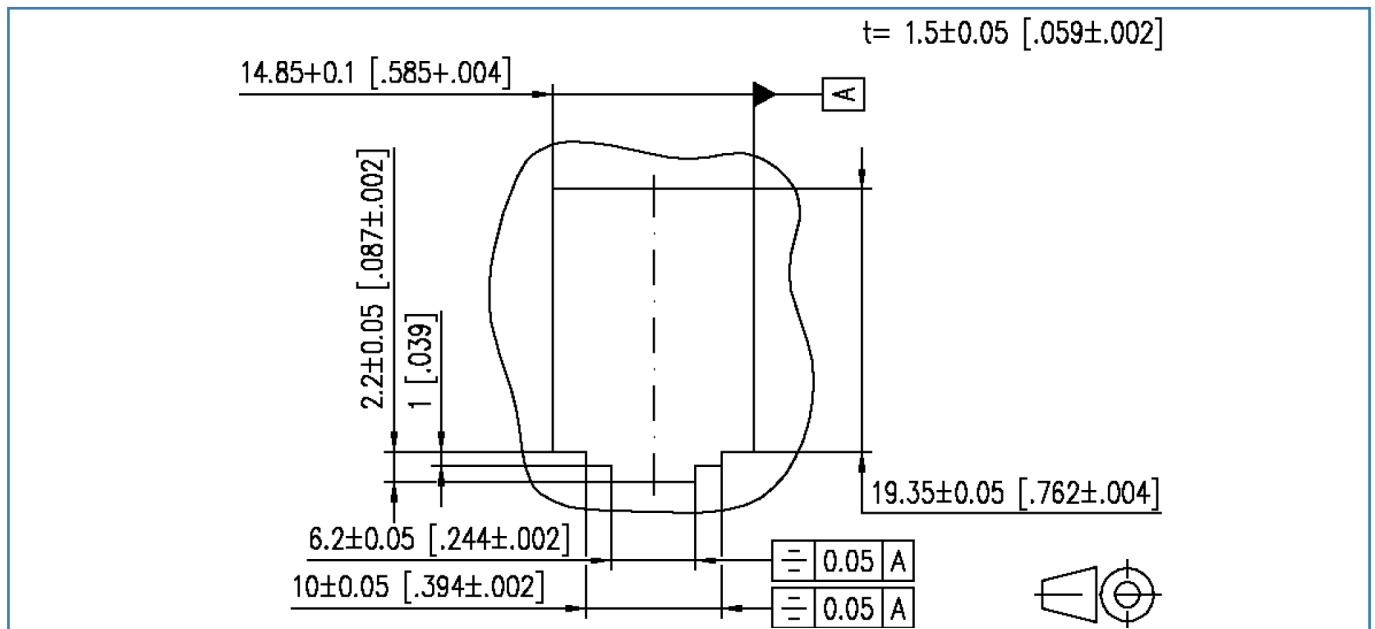


Illustrations

Dimensional drawing



Cut-out



P | Cabling

Data sheet

E-DAT modul Cat.6_A 8(8) jack, T568A

Page 10/10

P/N
130910-I

EAN 4250184105473

2020/03/27

Version: AW

Illustrations

Wiring

