

Installation Guide for

DIY Enterprise LoRa Gateway

WisDevice RAK72x Series

RAK7249

Version V1.0 | January 2019



www.RAKwireless.com

Visit our website for more documents.

11 PAGES



Table of Contents

1 Building Blocks.....	3
2 Interfaces of the Enclosure.....	4
3 Assembly.....	5
4 Installation.....	8
5 Optional Accessories.....	10
6 Contact Information.....	11
7 Revision History.....	12
8 Document Summary.....	12

1 Building Blocks

Create your own Enterprise Gateway using the supplied building Blocks:

- Main Board
- Enclosure
- Backup Battery
- Accessories



The MainBoard supports multiple variants for meeting different requirement. Please refer to the DIY configuration for supported function.

The Enclosure includes 5 RF cables and 1 Ethernet cable for connecting to the MainBoard.

For more accessories, please refer to the sales page.

Note: All the pictures are just for reference, if any discrepancy, please adhere to the actual product instead.

2 Interfaces of the Enclosure

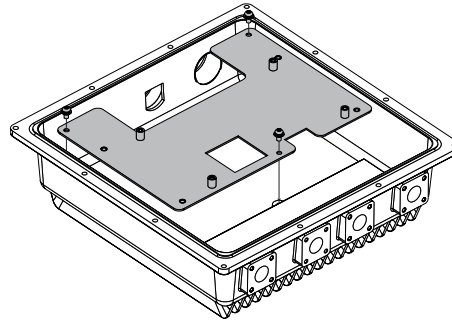
The enclosure's interfaces and connectors of the DIY Gateway are shown as below.



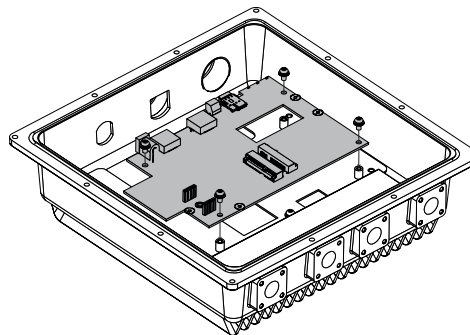


3 Assembly

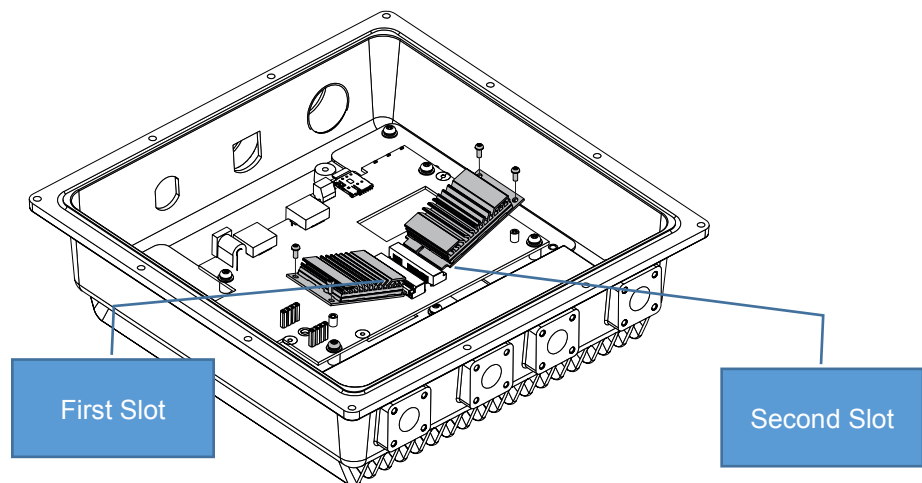
Step 1: Fix the support plate on the base with three M3*6 screws.



Step 2: Install the Mainboard with four M3*6 screws.



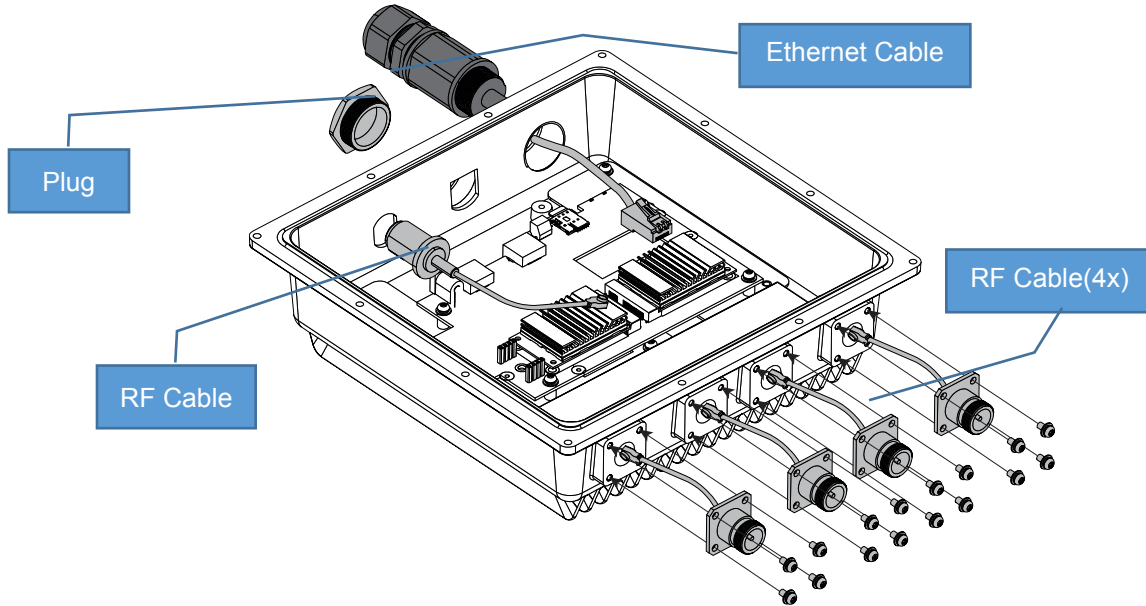
Step 3: Install the LoRa card (for example RAK833), the motherboard supports two LoRa cards, the first slot is for LoRa card of SPI type, the second slot is for LoRa card of USB type; if there is only one LoRa card (SPI type), please install it in the first slot.



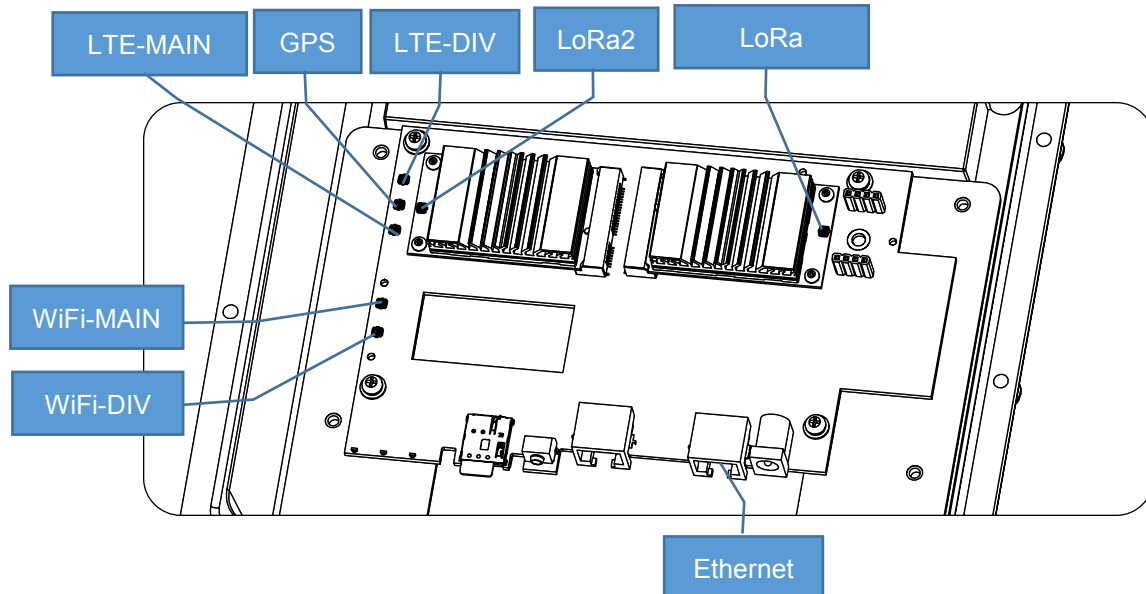


Step 4: If your board supports the cellular function, you can install your SIM card into the motherboard's SIM card slot.

Step 5: Installation of RF cables, Ethernet cable and reserved hole plugs.



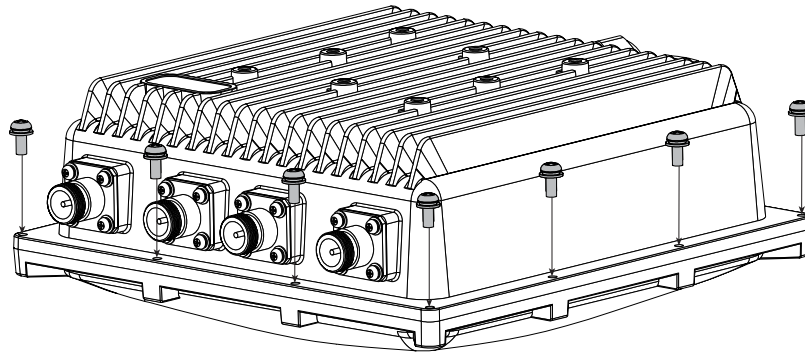
Step 6: Connect the cable to the motherboard. The connectors on motherboard are as follows. Connect with the cables one by one.



Note: You must use the WiFi-MAIN connector to connect the WiFi Antenna.

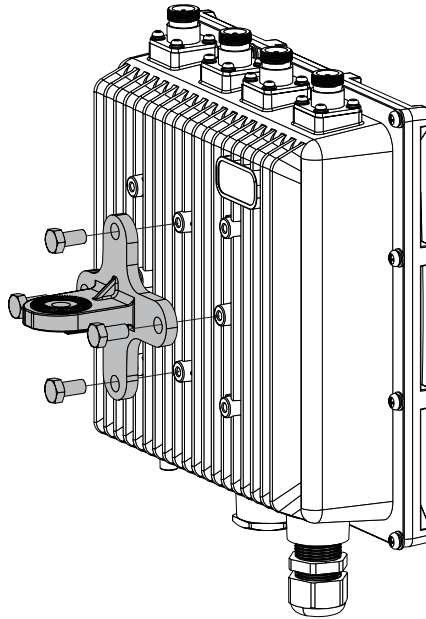
Step 7: If you have a Backup Battery Kit, connect with the Backup Battery to the motherboard.

Step 8: Close the top cover with 12PCS M4*12 screws.

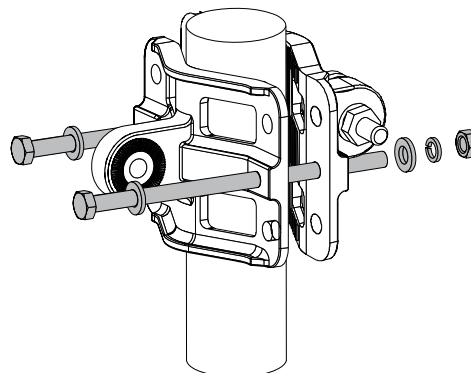


4 Installation

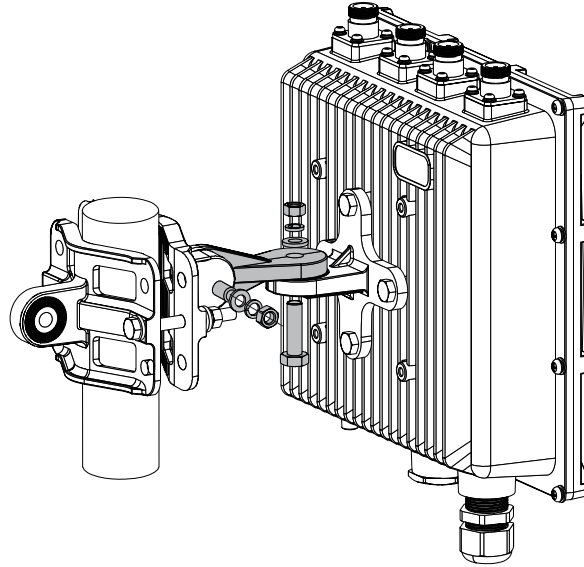
Step 1: Fix the device bracket on the bottom of the enclosure with four M6*12 screws.



Step 2: Tighten the pole clamp bar with hexagonal bolts M6*110, washer and nuts.



Step 3: Connect the clamp bar and the device with hexagonal bolts M6*30, washer and nuts.



5 Optional Accessories



LoRa Antenna

- 433
- 470
- 868
- 915



4G Antenna

- CMCC
- CUCC



GPS Antenna

- 1575.42

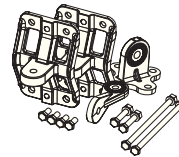


2.4G Antenna

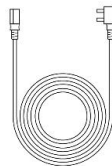
- 2.4000 – 2.4835



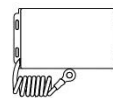
PoE



Mounting Kit



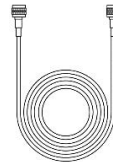
PoE Cable



PoE Lightning Arrester



Water-proof Rubber Cloth





Radio Frequency Cable






Insulating Tape

6 Contact Information

Shenzhen Business

-  ken.yu@rakwireless.com
-  Room 506, Bldg B, New Compark, Pingshan First Road, Taoyuan Street, Nanshan District, Shenzhen

Shenzhen Technical

-  steven.tang@rakwireless.com
-  0755-86108311
-  Room 506, Bldg B, New Compark, Pingshan First Road, Taoyuan Street, Nanshan District, Shenzhen

7 Revision History

Revision	Description	Date
1.0	Initial version	2019-01-15

8 Document Summary

Document Name: DIY Enterprise Gateway RAK7249 Installation Guide
Product Name: DIY Enterprise Gateway
Release Date: January 2019
Revision Number: V1.0

Prepared by	Checked by:	Approved by:
Zenglei & Penn	Zenglei	



About RAKwireless:

RAKwireless is the pioneer in providing innovative and diverse cellular and LoRa connectivity solutions for IoT edge devices. It's easy and modular design can be used in different IoT applications and accelerate time-to-market. For more information, please visit RAKwireless website at www.rakwireless.com.