

FMS Cable

Cable is a standardized heavy duty vehicle FMS 12-pin connector, for connecting FMX640 with one plug and receiving vehicle information through CAN line and K-line, along with powering the device and getting Ignition detection. This ensures easier connection and does not violate the factory warranty.

FMS/TACHOGRAPH

FMS and Tachograph data from the vehicle

IGNITION SOURCE/POWER

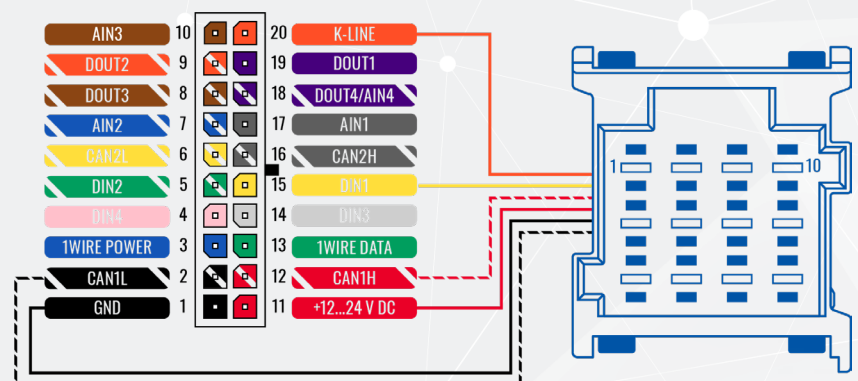
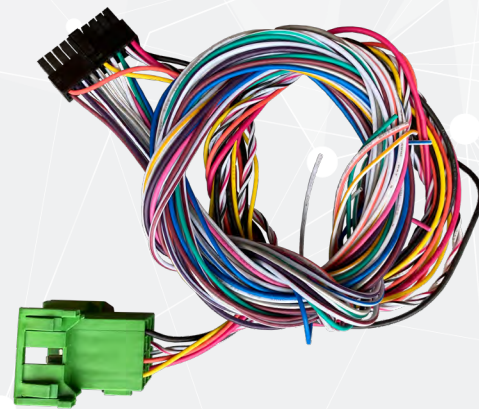
Ignition detection and power source

EASY INSTALLATION

All the necessary information and power source from one connector

MANUFACTURER WARRANTY

The cable connects to a vehicle FMS cable that is left empty specially for third party devices. This connection does not violate the manufacturer warranty



Technical data

Supported devices FMB640/FMM640/FMC640/FM6300

Number of pins 12

Pinout
 Pin12: VDC
 Pin1: GND
 Pin6: CAN H
 Pin9: CAN L
 Pin10: Ignition
 Pin7: K-line

Supported protocols FMS/K-Line

Length 0.9 meter