



OMNI 291 - User Guide

Version: 1.0

1.	Packing Check List	4
2.	Optional Accessories	6
3.	Introduction	7
4.	Installation Instructions	10
5.	Antenna Mounting Precautions	11
6.	Safety	12

1

Packing Check List

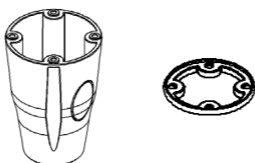
Item	Description	Quantity
1.	A-OMNI-0291 Antenna only	1
2.	M4 Pozi-drive screws stainless steel	4
3.	M4 washers	4
4.	L-Bracket	1
5.	Econo bracket stainless steel	2
6.	M6x60mm U-Bolts stainless steel	2
7.	M6 Nuts stainless steel	4
8.	M6 Flat Washers stainless steel	4
9.	Adapter Base	1
10.	Seal	1

The appearance of each component

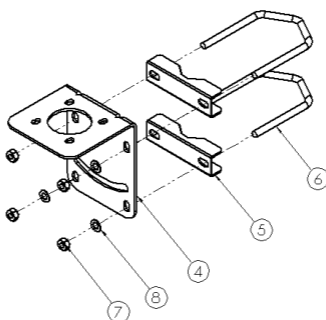
Antenna Unit



Adaptor Base and Seal



Stainless steel bracket assembly

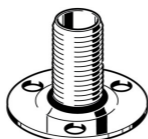


M4 Pozi-drive stainless steel screws and washers

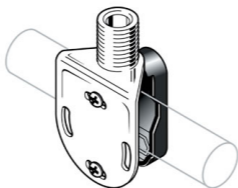


Optional Accessories

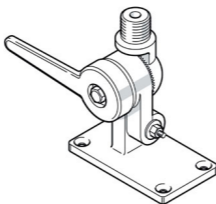
A-BRKT-037: Marine flat mount antenna bracket stainless steel



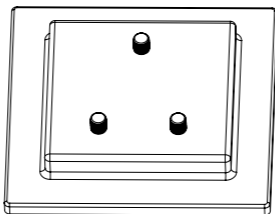
AA-BRKT-038: Marine ratchet rail mount antenna bracket stainless steel



A-BRKT-039: Heavy duty marine mount antenna bracket stainless steel



Splitter 14

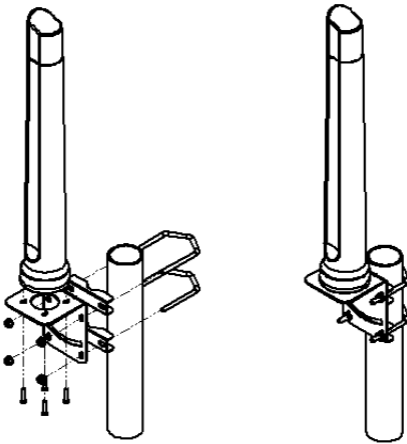


This User Guide provides information on the installation instructions of the Omni-directional marine antenna (A-OMNI-0291)

Antenna Configuration 1

Pole mount with supplied L-Bracket

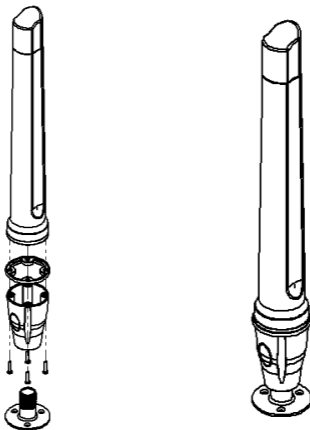
Exploded View



Antenna Configuration 2

Marine mount with optional bracketry

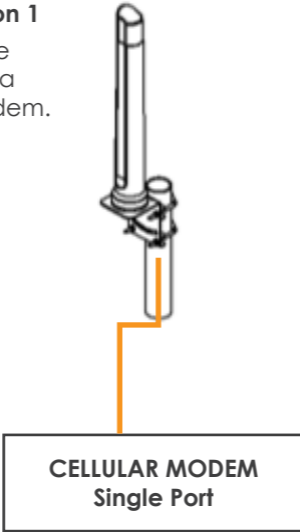
Exploded View



Antenna Connection Diagram

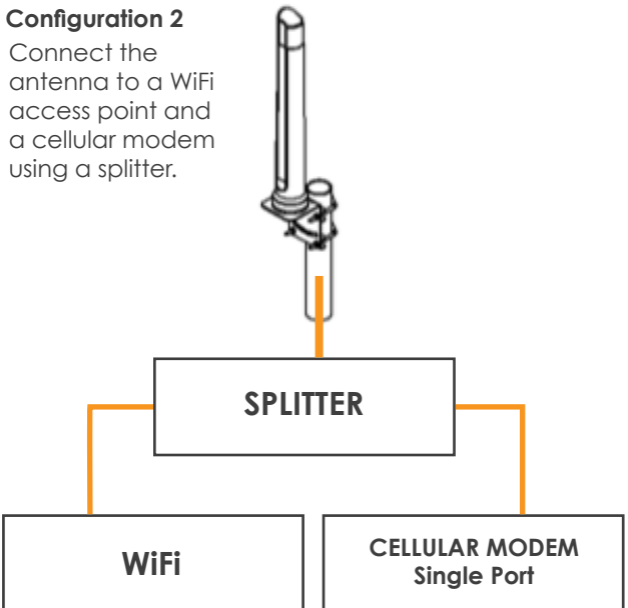
Configuration 1

Connect the antenna to a cellular modem.



Configuration 2

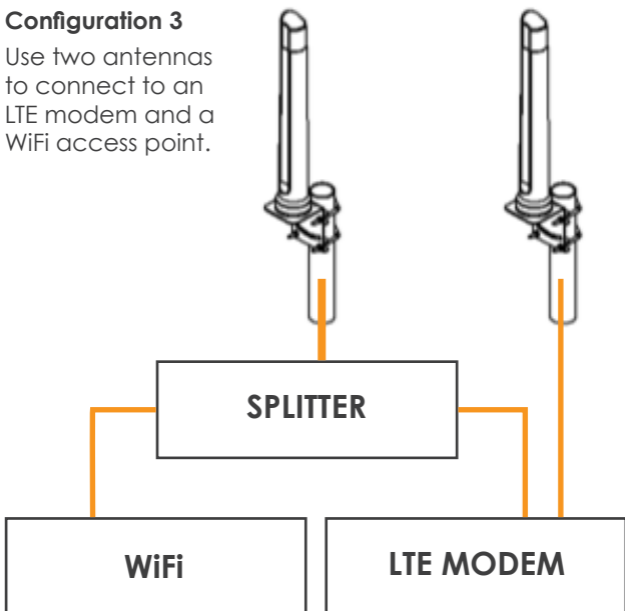
Connect the antenna to a WiFi access point and a cellular modem using a splitter.



* When mounting two OMNI 291 antennas in a LTE configuration: Space the antennas as far apart as possible, with a minimum distance of 1.5m

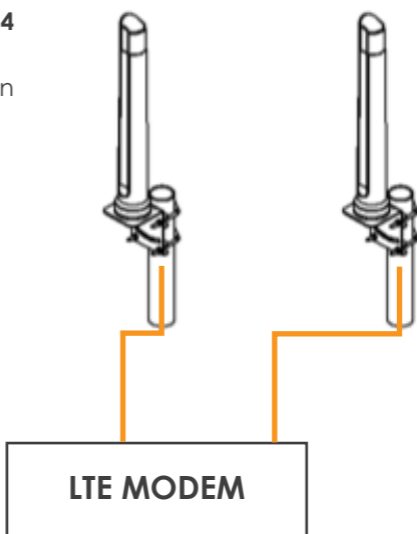
Configuration 3

Use two antennas to connect to an LTE modem and a WiFi access point.


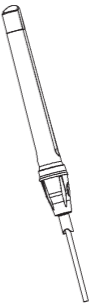
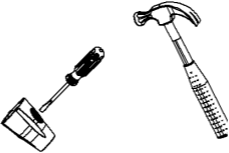
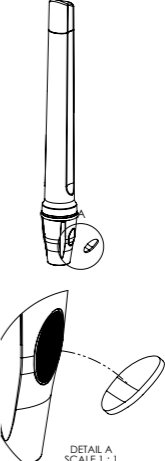


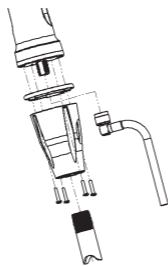
Configuration 4

Connect two antennas to an LTE modem.



- Open the antenna package and confirm that all listed components are available.
- Consider the antenna mounting precautions below before installation.

<p>Straight cable entry</p>	 <p>Insert the RF cable assembly through the pipe, seal and adapter base. Screw the RF cable connector to the antenna base connector. Fasten the adapter base to the antenna.</p>	 <p>Assembled antenna with straight entry cable.</p>
<p>Side cable entry (can only be used with right angle N-type male connector)</p>	 <p>Use a flat screw driver on the knock out edge of the adapter base to break the knock out section as shown above.</p>	 <p>DETAIL A SCALE 1:1</p>



Insert the RF cable assembly through the knocked out section of the adapter base. Pass the RF cable assembly through the seal and screw it on the antenna base connector. Fasten the adapter base to the antenna.



Assembled antenna with side entry cable.

5

Antenna Mounting Precautions

- Place the antenna at the highest point of the vessel and ensure that there aren't any surrounding obstructions to the antenna.
- In order to avoid communication interference, ensure that the antenna is placed at least 0.5m away from other antennas and metal objects.
- Avoid installing the antenna near the vessel's chimney, as the smoke and soot emitted by the chimney can obstruct the signal level achieved by the antenna.
- Install the antenna away from the vessel's heat sources and flammable gases.

- The antenna may not be used as a climbing or pulling device.
- Considerations must be taken when mounting the antenna that people do not hang or pull on it.