

A-Fix Bracket Kit Datasheet

Overview

Description

The new A-fix Bracket Kit from RAKwireless helps you to easily install and optimally position your antennas for any use case scenario, to ensure the best coverage possible. It consists of one flat plate, one rounded plate, two U-shaped brackets, and all the screws and nuts you'll need. All made from a strong material that will give a secure and sturdy grip to the antenna.

Features

- Pole mounting option, both horizontal and vertical
- Wall mounting option
- Provides sturdy mounting for the antenna, that will endure rough weather
- Easy to install

Specifications

Mechanical Characteristics

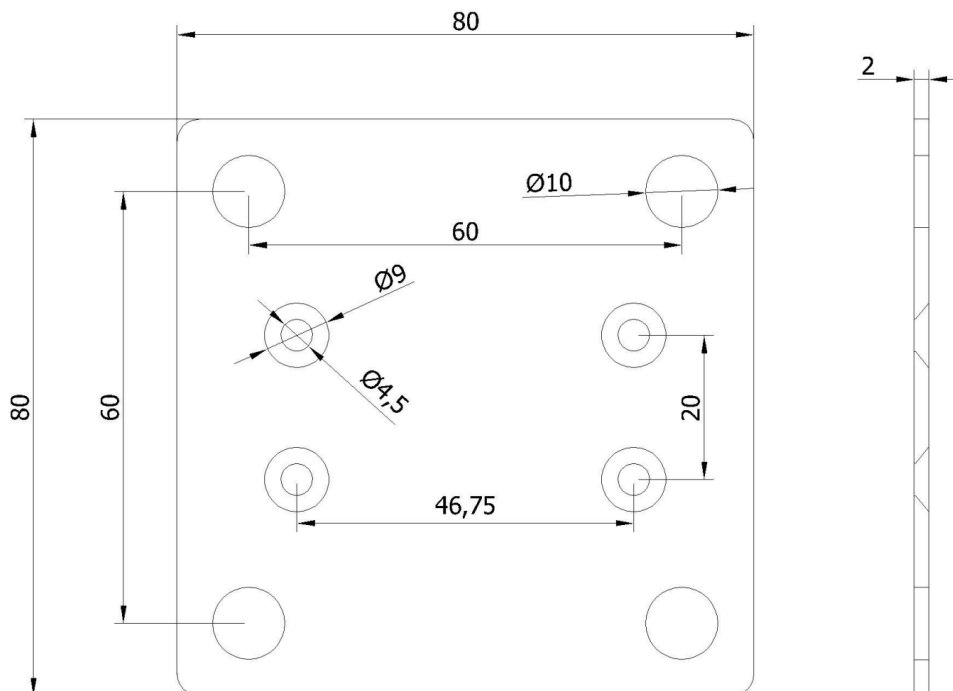


Figure 1: Flat Plate Dimensions

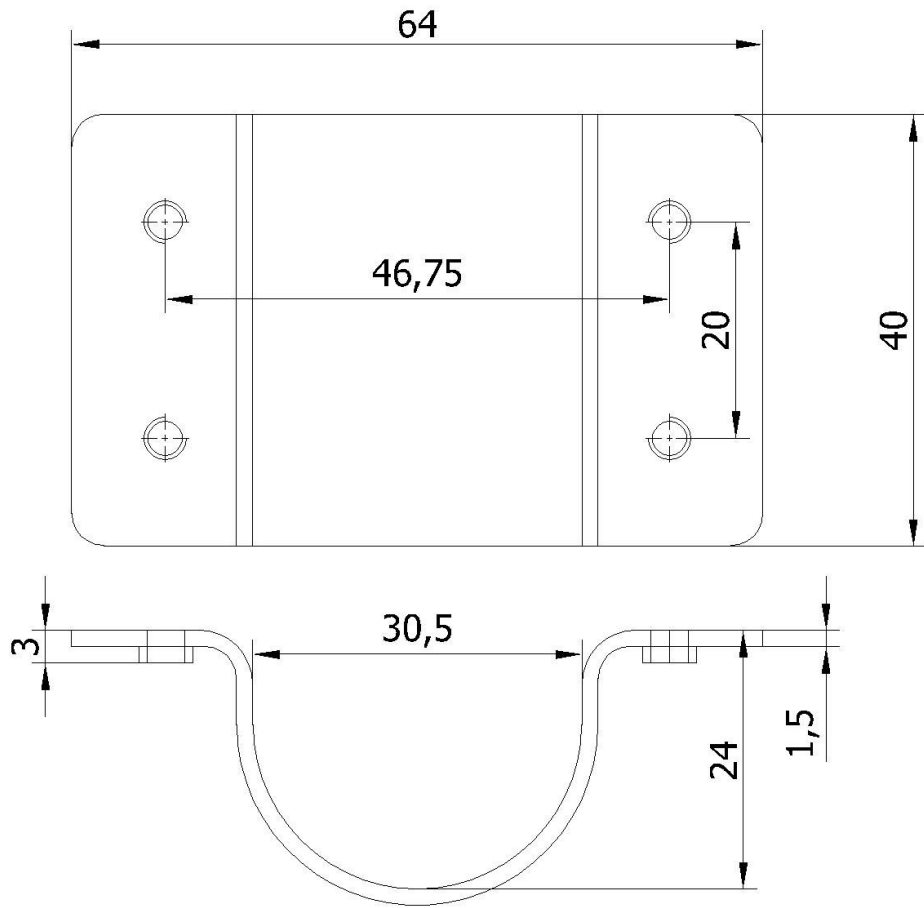


Figure 2: Rounded Plate Dimensions

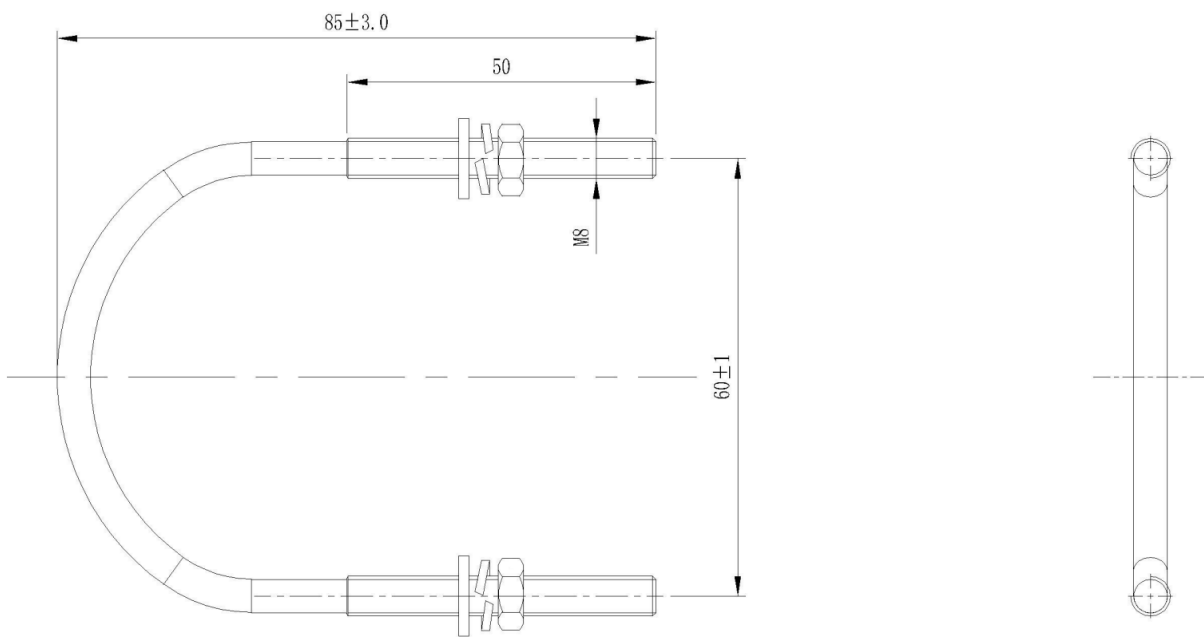


Figure 3: U-shaped Bracket Dimensions

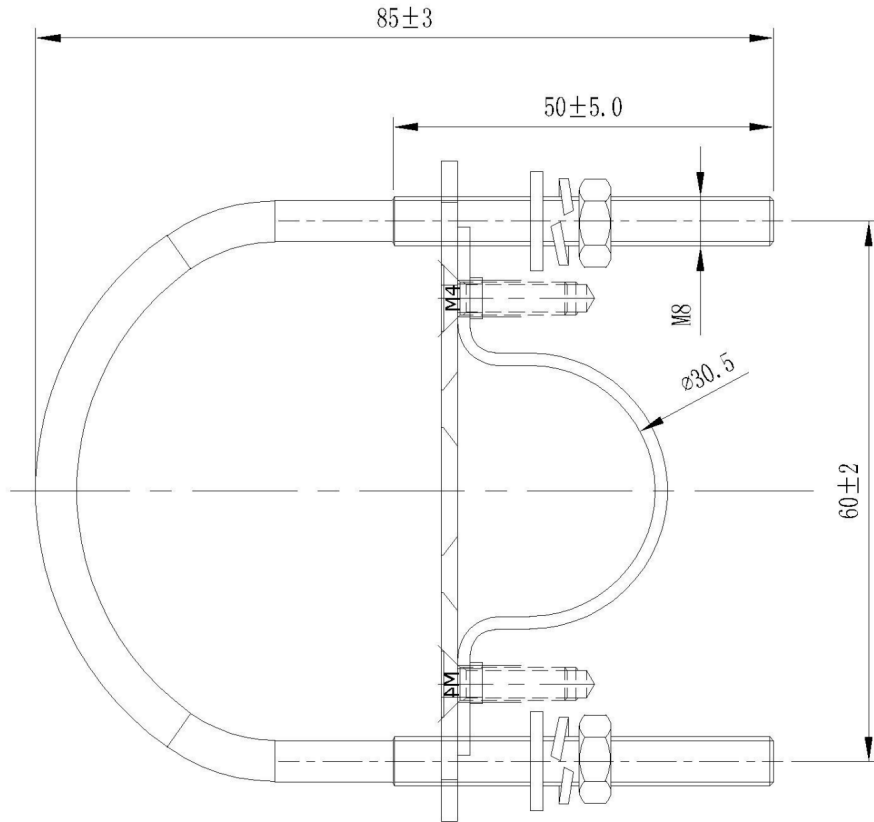


Figure 4: Dimensions of the whole construction

Typical Use Wall Mounting

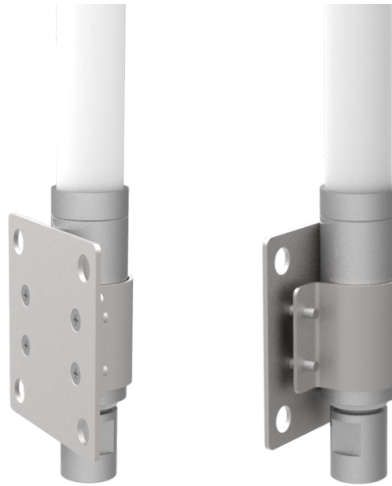


Figure 5: Wall Mounting

Pole Mounting

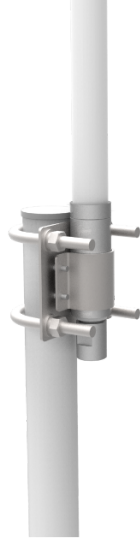


Figure 6: Pole Mounting

Last Updated: 1/10/2022, 2:07:11 AM
