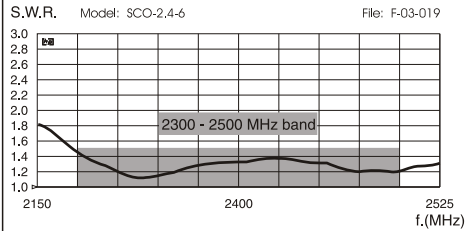
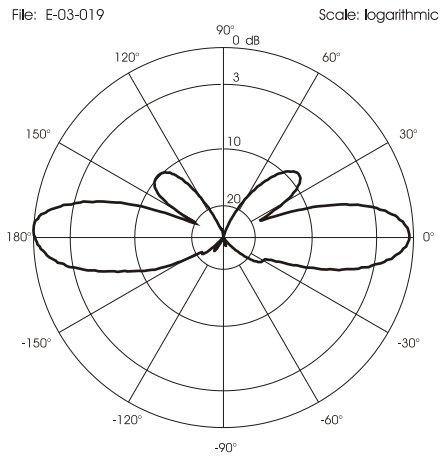


SCO-2.4-6

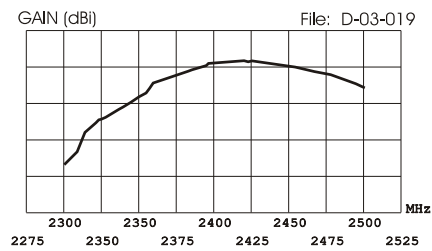
TYPICAL S.W.R. RESPONSE



TYPICAL RADIATION PATTERN IN E-plane at 2442.5 MHz

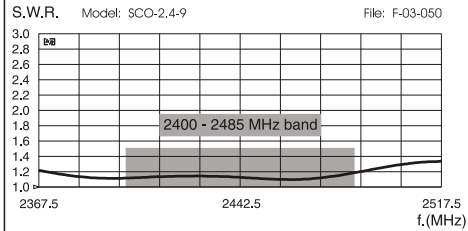


TYPICAL GAIN DIAGRAM vs FREQUENCY

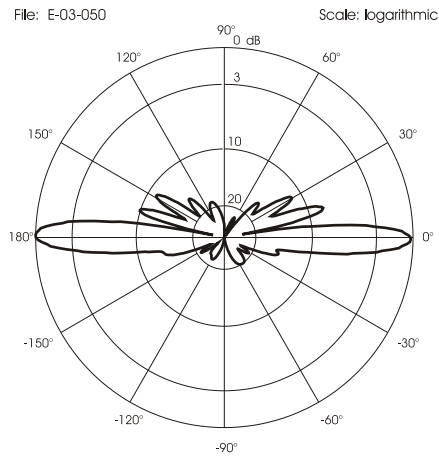


SCO-2.4-9

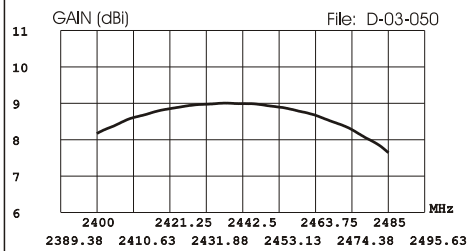
TYPICAL S.W.R. RESPONSE



TYPICAL RADIATION PATTERN IN E-PLANE at 2442.5 MHz



TYPICAL GAIN DIAGRAM vs FREQUENCY



OMNI W-LAN

SCO-2.4-6 SCO-2.4-9

UHF Base Station Antenna 2400 - 2485 MHz



SCO-2.4-6

SCO-2.4-9

DESCRIPTION

Base station antenna working on 2.3-2.5 GHz conceived for W-LAN system. The radiant element is made of PTFE PCB to guarantee high power and low losses and it is protected by a fiberglass tube. It's supplied with an aluminium bracket for an easy installation on the mast.

SPECIFICATIONS

Electrical Data

| | |
|-------------------------|---|
| Type | : Collinear Dipole Array |
| Frequency Range | : SCO-2.4-6 2300-2500 MHz SCO-2.4-9 2400-2485 MHz |
| Impedance | : 50 Ω |
| Polarization | : Linear Vertical |
| Max Gain | : SCO-2.4-6 6 dBi SCO-2.4-9 9 dBi |
| 3 dB Beamwidth Vertical | : SCO-2.4-6 22° @ 3550 MHz SCO-2.4-9 10° @ 3550 MHz |
| Beamwidth Horizontal | : 360° omnidirectional |
| Downtilt | : 0° |
| SWR in Bandwidth | : \leq 1.5 |
| Max Power | : 20 Watts (CW) @ 30° C |
| Grounding Protection | : All metal parts are DC-grounded, the inner conductor shows a DC-short |
| Connector type | : N-female, gold plated central pin |

Mechanical Data

| | |
|------------------------|--|
| Housing Materials | : Aluminium, Stainless Steel, Chromed Brass |
| Radome Material | : White Fiberglass |
| Wind Load / Resistance | : 19N @ 150 Km/h / 200 Km/h |
| Wind Surface | : 0.015 m ² |
| Height (approx.) | : SCO-2.4-6 325 mm SCO-2.4-9 630 mm |
| Weight (approx.) | : SCO-2.4-6 350 gr SCO-2.4-9 415 gr |
| Operating Temperature | : -40° C to 80° C |
| Mounting Mast | : \varnothing 35-54 mm |

MOUNTING INSTRUCTIONS

Fixing bracket:



Fixing bracket part list

| Q.ty | Description |
|-----------------------------|----------------------------|
| 1 | Extruded aluminium bracket |
| 1 | M6x188 V-bolt |
| 1 | M6x20 Exagonal head screw |
| 3 | M6 Spring lock washer |
| 3 | M6 Hexagonal nut |
| Materials: | extruded aluminum |
| Hardware: | stainless steel |
| Dimensions: | 80 x 76 x 25 mm |
| Weight: | 110 g |
| Re-order code: SA161 | |

