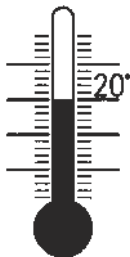
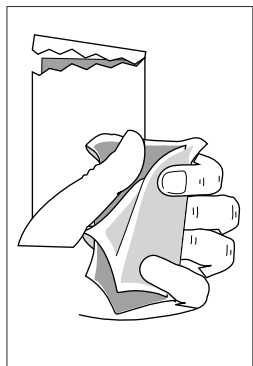


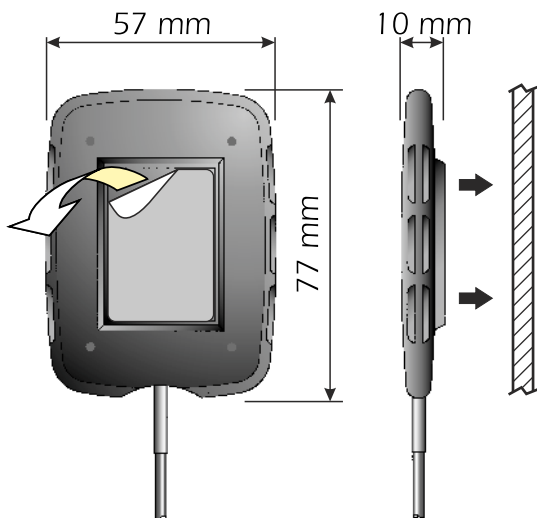
MOUNTING INSTRUCTIONS

1: Choose the best mounting position **far away from any metallic parts**

2: Moreover, we suggest to clean carefully the surface and to proceed with the installation at a temperature of 20°C or higher.



3: Remove the protective film avoiding to touch the adhesive tape with your hands. Proceed by sticking the antenna on the window and pressing uniformly on its whole surface to get a perfect adhesion.



INGLASS LOW PROFILE LTE & WLAN

Multi band Antenna

MAIN FEATURES

- Very low profile multi band antenna
- Frequency range: from 800 MHz
Multi bands antenna for: LTE, GSM dual, UMTS, WiMAX, WiFi (IEEE802.11b/g/h/p), V2X systems
- Installation: adhesive mount for glass, plastic box, wall, wood surfaces (NOT SUITABLE FOR METALLIC SURFACES)
- 3M adhesive tape for permanent fitting



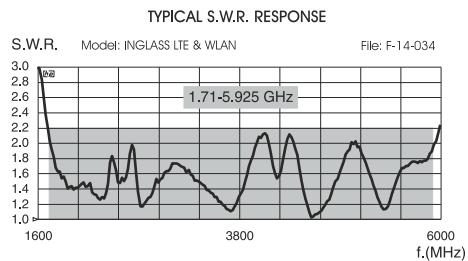
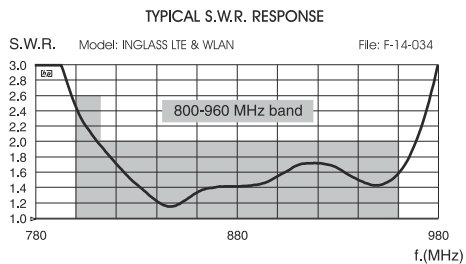
SPECIFICATIONS

Electrical Data

Type:	Indoor Adhesive Antenna
Frequency Range:	800 - 810 MHz @ SWR ≤ 2.6 810 - 960 MHz @ SWR ≤ 2 1.71 - 5.925 GHz @ SWR ≤ 2.2
Impedance:	50 Ω Unbalanced
Radiation:	Omnidirectional
Polarization:	Vertical
Gain:	0 dBd, 2.14 dBi all bands
Max Power:	10 Watts from 800 to 2700 MHz 6 Watts from 2.7 to 3.8 GHz 5 Watts from 3.8 to 5.925 GHz
Connector type:	SMA Male
Cable Type / Length:	RG 174 AVU / 3 m (other length on request)

Mechanical Data

Materials:	PCB, Thermoplastic, Copper
Dimensions (approx.):	57 x 77 x 10 mm
Weight (approx.):	70 gr
Mounting:	Adhesive tape. Suitable for «not metallic» surfaces



SWR test effected with 10cm cable

SUITABLE INSTALLATIONS

