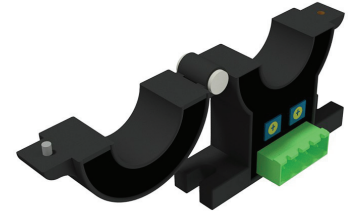
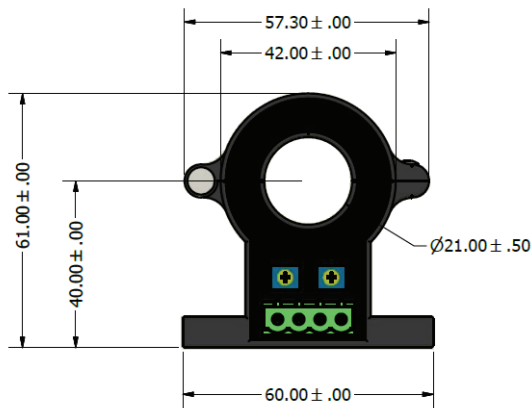
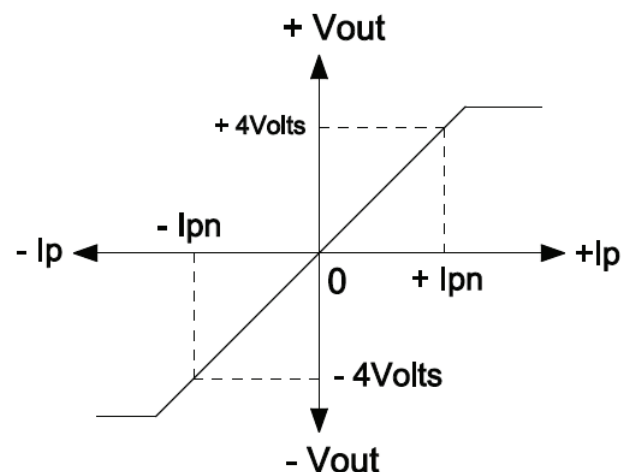
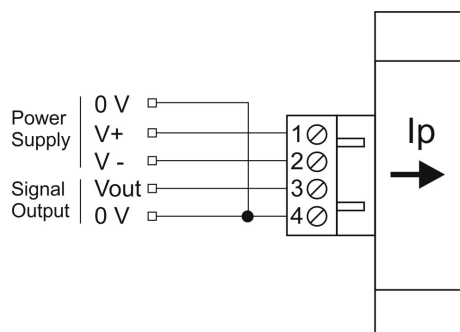


SPLIT CORE HALL'S EFFECT AC/DC CURRENT TRANSFORMER

QI-HSC



	QI-HSC-50 / QI-HSC-100
NOMINAL CURRENT MEASUREMENT	QI-HSC-50 : 50 A AC/DC QI-HSC-100: 100 A AC/DC
AUXILIARY POWER SUPPLY	± 12 ... 15 V dc
WORKING FREQUENCY	From DC up to 20 kHz
LOAD RESISTANCE	Min 10 kOhm
ABSORPTION @ 15 V dc	25mA
VOLTAGE OUTPUT @ Nominal current $I_p = 0$	± 25 mV
VOLTAGE OUTPUT @ Nominal current I_{pn}	± 4 V ±1%
ACCURACY	+/- 1%
LINEARITY	< 1%
THERMAL DRIFT	± 1 mV/°C
RESPONSE TIME 0...90%	10 μs
ISOLATION PRIMARY/SECONDARY	3 kV
WORKING TEMPERATURE	-25°C...85°C
STORAGE TEMPERATURE	-40°C...100°C
CONNECTION	Removable Connector for cable section 0,2 ÷ 2,5 mm2
WEIGHT	80 gr



I_p : Primary Current
 I_{pn} : Nominal Primary Current
 0 V: measurement reference and auxiliary power supply
 V+: Positive auxiliary power supply +12...15V
 V-: Negative auxiliary power supply -12...15V
 Vout: Nominal output ±4V